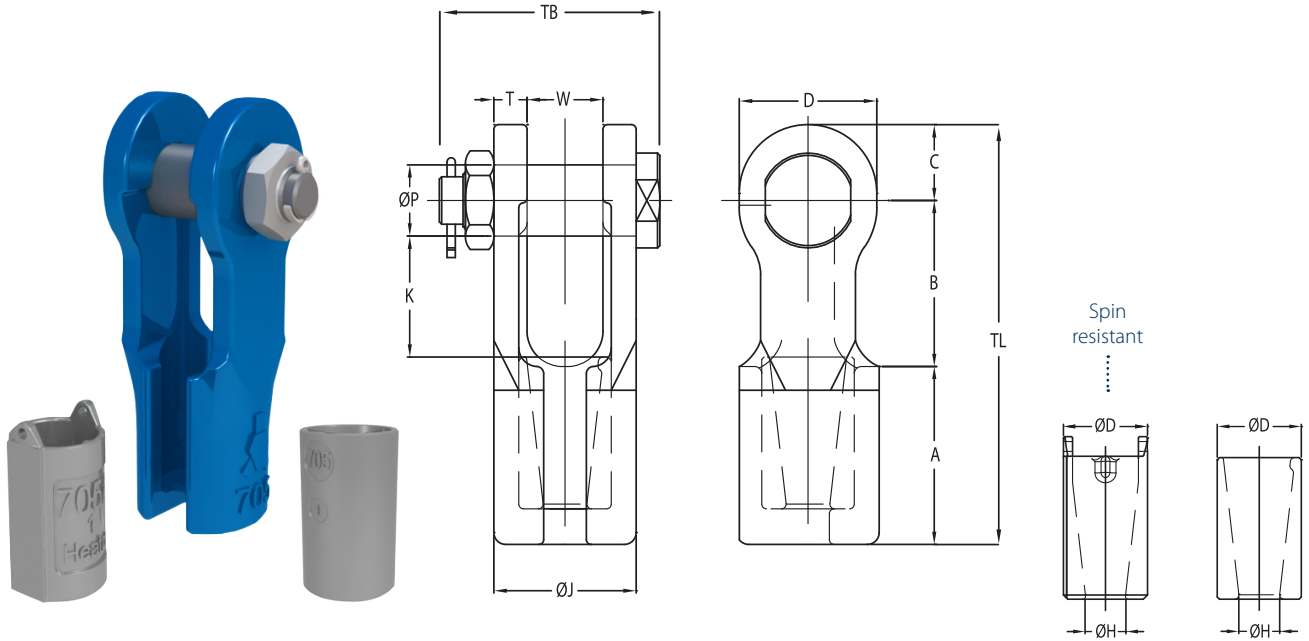


CONECTOR RAPIDO PARA CABLE CON TUERCA

ACERO FUNDIDO
TEMPLADO



Model nr.	Reeving aid	MBL (Mtons)	for wire ø		Dimensions (mm)													Weight (kg)
			(mm)	(inch)	A	B	C	øH	øP	T	W	D	øD	øJ	K	TB	TL	
FCS 701 B	-	20	11-13	$\frac{7}{16} - \frac{1}{2}$	62	61	27	15	25	12	25	50	33	49	46	80	150	1,6
FCS 702 B	-	25	13-16	$\frac{1}{2} - \frac{5}{8}$	72	78	32	18	30	14	32	58	38	60	59	96	182	2,6
FCS 703 B	-	40	16-19	$\frac{5}{8} - \frac{3}{4}$	85	93	40	21	35	16	38	70	45	70	69	107	218	4,5
FCS 704 B	-	55	20-22	$\frac{7}{8}$	102	106	45	24	41	19	44	80	50	81	123	253	6,5	
FCS 705 B	-	75	23-26	1	115	123	60	28	51	22	51	104	60	90	138	298	11	
FCS 706 B	-	90	27-29	$1\frac{1}{8}$	140	152	65	32	57	25	57	114	70	107	116	160	357	16
FCS 705 B.SR	T 705	75	23-26	1	115	123	60	28	51	22	51	104	60	90	138	298	11	
FCS 706 B.SR	T 706	90	27-29	$1\frac{1}{8}$	140	152	65	32	57	25	57	114	70	107	116	160	357	16
FCS 707 B.SR	T 706	125	30-32	$1\frac{1}{4}$	150	159	73	36	63	28	63	126	80	119	120	165	382	18
FCS 708 B.SR	T 706	125	33-36	$1\frac{3}{8}$	160	171	73	39	64	28	69	126	85	125	130	185	404	23
FCS 709 B.SR	T 709	150	37-39	$1\frac{1}{2}$	176	187	80	42	70	30	76	142	90	136	142	201	443	29
FCS 710 B.SR	T 709	170	40-42	$1\frac{5}{8}$	188	198	88	45	76	33	76	156	95	142	150	209	474	36
FCS 711 B.SR	T 711	225	43-48	$1\frac{3}{4} - 1\frac{7}{8}$	210	232	100	52	89	39	89	176	110	167	175	237	542	58

MBL = Minimum Breaking Load

- The standard finish of our sockets is blue. Hot dipped galvanized is also available.
- Socket range OSS 196 until OSS 100 is delivered with galvanized finish, other finishes are available upon request.
- All sockets are provided with an EN 10204-2.1 declaration of conformity, EN 10204-3.1 material certificate and can be provided with a 2006/42/EC declaration where applicable.
- Dimensional tolerances depend on the manufacturing techniques applied and are different between machined components (pins) and cast components (socket bodies and wedges).
- Also surface finish e.g. hot dip galvanizing or even paint may add to the overall thickness and fork distance.
- Please contact Ropeblock for further guidance and a detailed dimensional tolerance sheet.



Available with
Reeving tool
(optional)