



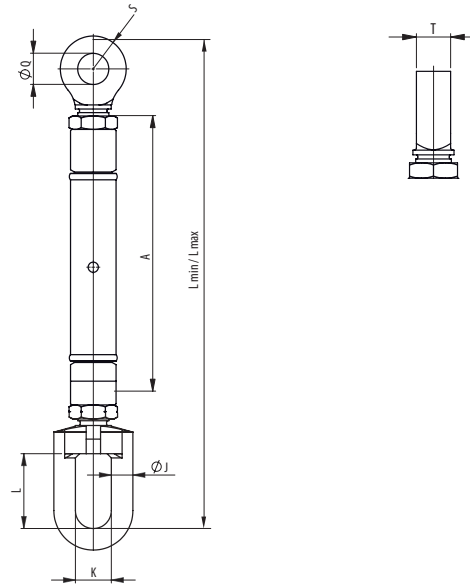








## TURNBUCKLES WITH TRAPEZOID THREAD; OBLONG EYE - STUD EYE



Model Nr.	WLL (Mtons)	L min (mm)	L max (mm)	Take-up (mm)	Thread (trap.)	Dimensions (mm)							Weight (kg)
						A	$\phi J$	K	L	$\phi Q$	S	T	
SPS TR.22.188.1,6.O-E	1,6	400	567	167	22 x 5	240	16	26	58	23	22,5	20	2
SPS TR.24.200.2.O-E	2	424	605	181	24 x 5	260	16	26	58	25	25	22	3
SPS TR.28.206.2,5.O-E	2,5	475	690	215	28 x 5	280	20	32	72	27	27,5	25	5
SPS TR.30.228.3,1.O-E	3,1	505	730	225	30 x 6	300	20	32	72	30	30	28	6
SPS TR.32.241.4.O-E	4	552	784	232	32 x 6	320	25	40	94	33	32,5	30	7
SPS TR.36.240.5.O-E	5	585	827	242	36 x 6	340	25	40	94	39	37,5	35	12
SPS TR.44.263.6,3.O-E	6,3	665	935	270	44 x 7	380	30	45	108	42	42,5	40	17
SPS TR.48.297.8.O-E	8	724	1020	296	48 x 8	420	32	50	115	48	47,5	45	25
SPS TR.52.309.10.O-E	10	790	1096	306	52 x 8	460	36	60	125	52	55	50	24
SPS TR.55.340.12,6.O-E	12,6	875	1227	352	55 x 9	500	40	65	144	56	60	55	42
SPS TR.65.354.16.O-E	16	965	1331	366	65 x 10	540	45	70	163	65	65	60	44
SPS TR.70.382.20.O-E	20	1044	1424	380	70 x 10	580	55	75	168	74	70	65	71
SPS TR.75.404.25.O-E	25	1119	1521	402	75 x 10	620	60	80	192	78	75	70	82
SPS TR.80.430.31,5.O-E	31,5	1198	1636	438	80 x 10	660	60	90	216	86	85	80	86

Minimum Ultimate Strength = 5 x WLL

- Standard painted blue, but can be supplied in any color or galvanized.
- Available in all combinations of eyes, stud eyes and welding ends.
- Factory supplied with lock nuts.
- Lock plates or special locking devices possible.
- Can be supplied with turning wheel or ratchet.
- Other sizes possible.
- Straight or in-line pull only.