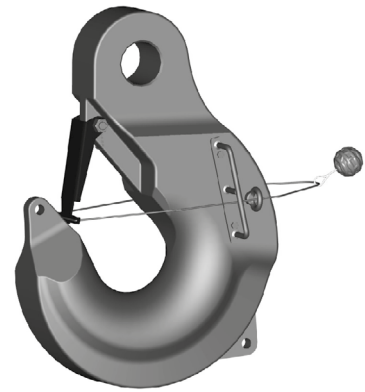
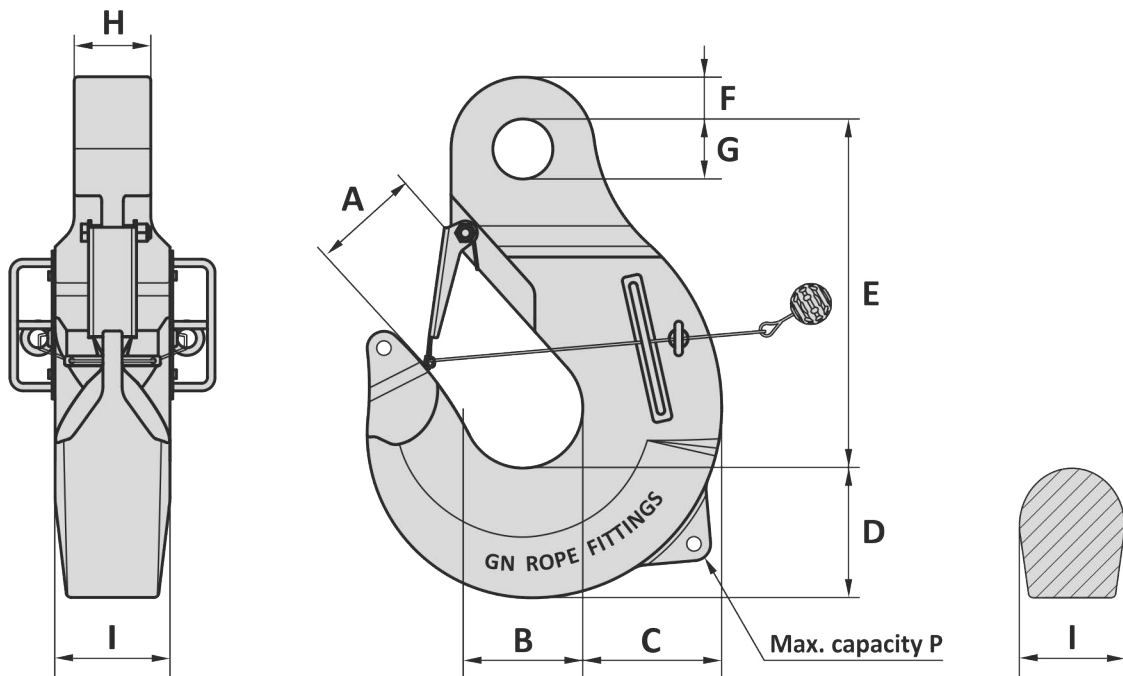
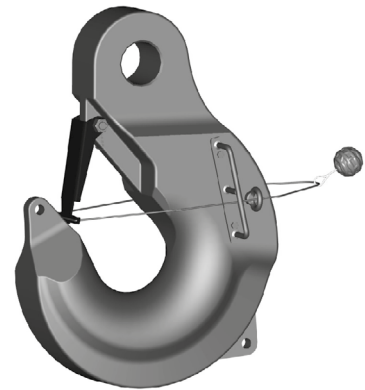


# F



Art. No.	WLL ton	MBL ton	A inch	B inch	C inch	D inch	E inch	F inch	G inch	H inch	I inch	P ton	Weight lbs
73000050	50	200	4 1/16	4 23/32	5 1/2	4 15/16	15 7/16	1 15/16	2 7/8	2 3/8	3 9/16	2	146
73000063	63	252	4 9/32	5 1/8	6 5/16	5 1/2	16 21/32	2 3/32	3 11/32	2 3/4	3 15/16	3.25	198
73000080	80	320	4 1/16	5 1/2	7 3/32	6 5/16	18 5/16	2 3/8	3 9/16	3 5/32	4 23/32	4.75	293
73000100	100	400	5 19/32	6 5/16	7 15/32	6 1/2	20 7/8	2 9/16	4 5/16	3 15/16	5 1/2	4.75	412
73000150	150	600	6 3/16	7 3/32	9 1/16	7 7/8	23 3/32	2 3/4	4 23/32	4 23/32	7 3/32	6.5	692
73000200	200	800	7 3/32	8 1/4	10 1/4	9 1/16	26 1/16	3 1/16	5 5/16	5 23/32	7 7/8	8.5	1030
73000250	250	1000	8 19/32	9 27/32	11 13/32	10 1/4	29 17/32	3 9/16	5 29/32	6 11/16	9 1/16	9.5	1446
73000300	300	1200	10 3/16	11 13/16	12 19/32	11 13/32	34 1/16	3 19/16	6 5/16	7 3/32	10 1/4	12	2017
73000400	400	1600	11 1/32	12 19/32	13 25/32	12 19/32	35 13/16	4 1/8	7 3/32	7 7/8	11 19/16	17	2685
73000500	500	2000	11 9/16	13 3/8	15 11/32	13 3/8	38 25/32	4 5/16	7 15/32	8 21/32	12 19/32	17	3397
73000600	600	2400	11 31/32	13 25/32	16 17/32	14 9/16	40 3/4	4 23/32	8 1/4	9 27/32	13 3/8	25	4151
73000700	700	2800	12 15/32	14 3/16	17 23/32	15 11/32	41 3/4	4 15/16	8 21/32	11 1/32	14 31/32	25	5049
73000800	800	3200	12 7/8	14 31/32	19 11/16	17 5/16	46 7/16	5 1/2	9 7/16	11 13/16	15 3/4	25	6601
73000900	900	3600	13 5/16	15 3/4	20 15/32	18 1/8	49 5/8	5 29/32	10 1/4	12 19/32	16 17/32	35	7859
73001000	1000	4000	13 29/32	16 17/32	22 1/16	18 29/32	52 3/4	6 5/16	11 1/32	13 3/8	17 5/16	35	9370
73001250	1250	5000	14 5/8	17 23/32	23 3/8	20 7/8	55 23/32	7 5/32	12 3/16	14 3/16	18 29/32	42.5	12125
73001550	1550	6200	15 1/2	18 29/32	26	23 3/32	59 1/4	8 1/16	13	14 3/16	21 1/4	42.5	15432

# GANCHO HK14



Art. No.	WLL ton	MBL ton	A mm	B mm	C mm	D mm	E mm	F mm	G mm	H mm	I mm	P ton	Weight kg
73000050	50	200	103	120	140	125	392	49	73	60	90	2	66
73000063	63	252	109	130	160	140	423	53	85	70	100	3.25	90
73000080	80	320	119	140	180	160	465	60	90	80	120	4.75	133
73000100	100	400	142	160	190	165	530	65	110	100	140	4.75	187
73000150	150	600	157	180	230	200	590	70	120	120	180	6.5	314
73000200	200	800	180	210	260	230	678	78	135	145	200	8.5	467
73000250	250	1000	218	250	290	260	750	90	150	170	230	9.5	656
73000300	300	1200	259	300	320	290	865	100	160	180	260	12	915
73000400	400	1600	280	320	350	320	910	105	180	200	300	17	1218
73000500	500	2000	294	340	390	340	985	110	190	220	320	17	1541
73000600	600	2400	304	350	420	370	1035	120	210	250	340	25	1883
73000700	700	2800	317	360	450	390	1060	125	220	280	380	25	2290
73000800	800	3200	327	380	500	440	1180	140	240	300	400	25	2994
73000900	900	3600	338	400	520	460	1260	150	260	320	420	35	3565
73001000	1000	4000	353	420	560	480	1340	160	280	340	440	35	4250
73001250	1250	5000	371	450	600	530	1415	185	310	360	480	42.5	5500
73001550	1550	6200	394	480	660	590	1505	205	330	360	540	42.5	7000

Tolerance: Machined parts  $\pm 1$  mm